



Micro Systems Technologies

LiS 2044

LITRONIK Li-Manganese Dioxide Medium Rate Battery

KEY FEATURES

- For implantable devices with medium pulse power demand
- Very high power densities
- Direct power supply of telemetric units
- High operational voltage during pulses
- Low self-discharge rates
- No voltage delays



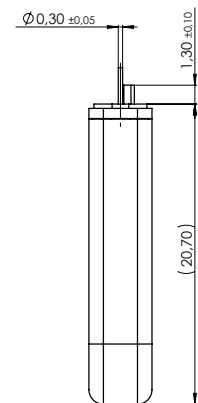
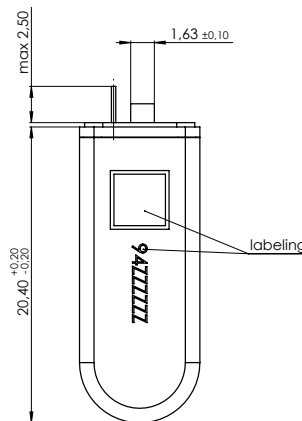
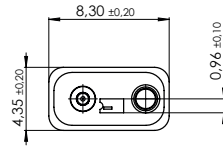
an MST company

LiS 2044

Lithium-Manganese Dioxide Medium Rate Battery

Technical Data

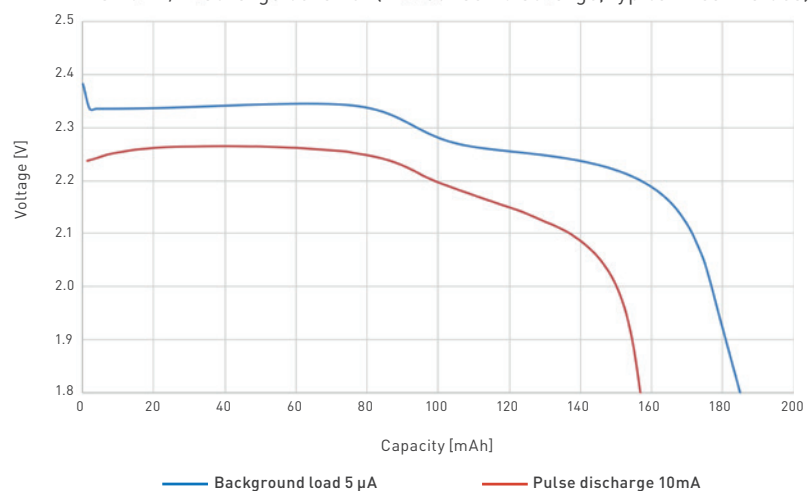
Chemistry	Li-MnO ₂
Construction	Stacked electrode design
Rated capacity (at 100 kΩ)	184 mAh
Energy density	789 mWh/cm ³
Nominal voltage	3.2 V
Cut-off voltage	2.0 V
Pulse capacity	156 mAh
Rated pulse current	10mA/10s
Self-discharge (at 37°C)	< 1% per year
Mass	1.8 g
Volume	0.7 cm ³
Case material	Titanium grade 1 hermetically sealed
Case polarity	Negative
Safety feature	Shut down separator
Typical application	Implantable monitors or IPGs with telemetric functionalities



Options

Custom pin configuration	available
Application specific testing	available
Custom labeling	available
Custom packaging	available

LiS 2044 / Discharge behavior (without self discharge, typical mean values)



LITRONIK power sources provide today's state-of-the-art in battery technology for implantable medical devices. The batteries are manufactured within a tightly controlled atmosphere to ensure highly re-producible electrical characteristics. A completely laser welded titanium case and a high-precision metal-to-glass feedthrough guarantee hermeticity and safe operation. LITRONIK's quality system derives from the requirements of life sustaining implants and assures 100% traceability of processes and materials.

LITRONIK
an MST company

LITRONIK Batterietechnologie GmbH
Birkwitzer Straße 79
DE-01796 Pirna, Germany
Phone +49 (3501) 5305-0
info.litronik@mst.com
www.mst.com

MST
Micro Systems Technologies

Micro Systems Technologies Management GmbH
Sieversufer 7-9
DE-12359 Berlin, Germany
Phone +49 (30) 68905-4001
info@mst.com
www.mst.com