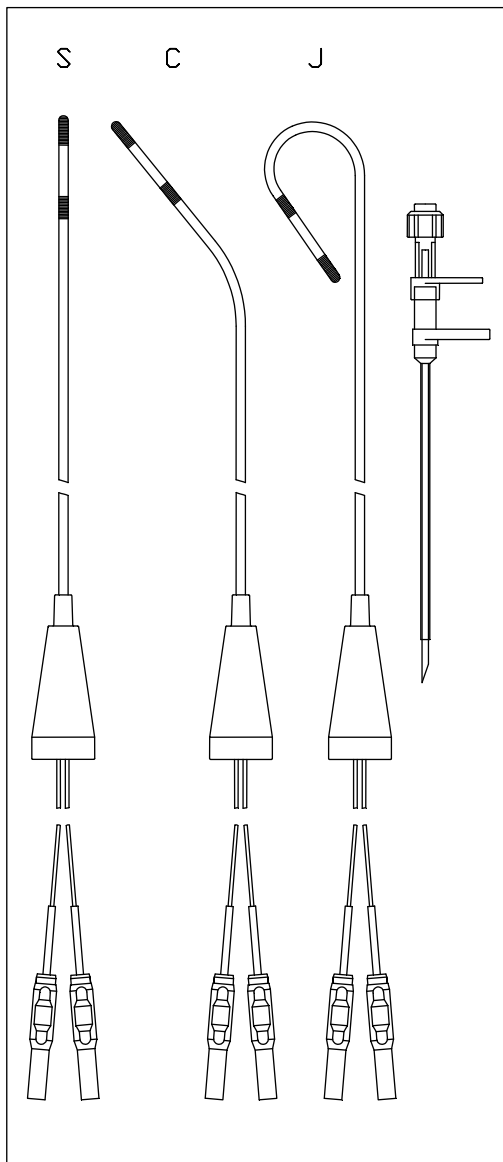


VascoStim Bipolar

Intracardiac electrodes for temporary pacing and electrophysiology

VascoStim catheters are intravascular catheters for electrophysiological diagnostics and for temporary pacing of the heart, especially in emergencies such as bradyarrhythmia and cardiac conduction system disorder. They can be easily inserted via a peripheral vein.

VascoStim can be positioned quickly, easy and safely and the advantages are good pushability, excellent torque control and positional - stability. VascoStim can be easily user preformed or ordered in traditional shapes.



Technical Data:

Diameter:	4F/1.35mm, 5F/1.67mm, 6F/2.0mm
Surface	
Ring/Tip:	12/15mm ² , 15/19mm ² , 19/25mm ²
Spacing of Electrodes:	7mm
Material:	Stainless Steel
Eff. length:	114cm
Isolation:	PEBA, radiopaque
Resistance:	< 60 Ohm
Connector:	shrouded 2mm pins

Attention !

To connect older devices with 2mm connector receptacles please use 2mm adapters (VascoStim TOPAS).

Package contents:

- 1 Bipolar temporary pacing lead
- 1 Introducer Set

Packaging Unit: 5 pcs. / Box

Ordering Informations:

	Product		
501060	VascoStim	2/4F	S
501064	VascoStim	2/4F	C
501063	VascoStim	2/4F	J
501061	VascoStim	2/5F	S
501066	VascoStim	2/5F	C
501065	VascoStim	2/5F	J
501062	VascoStim	2/6F	S
501068	VascoStim	2/6F	C
501067	VascoStim	2/6F	J

This product is double packaged and sterile.

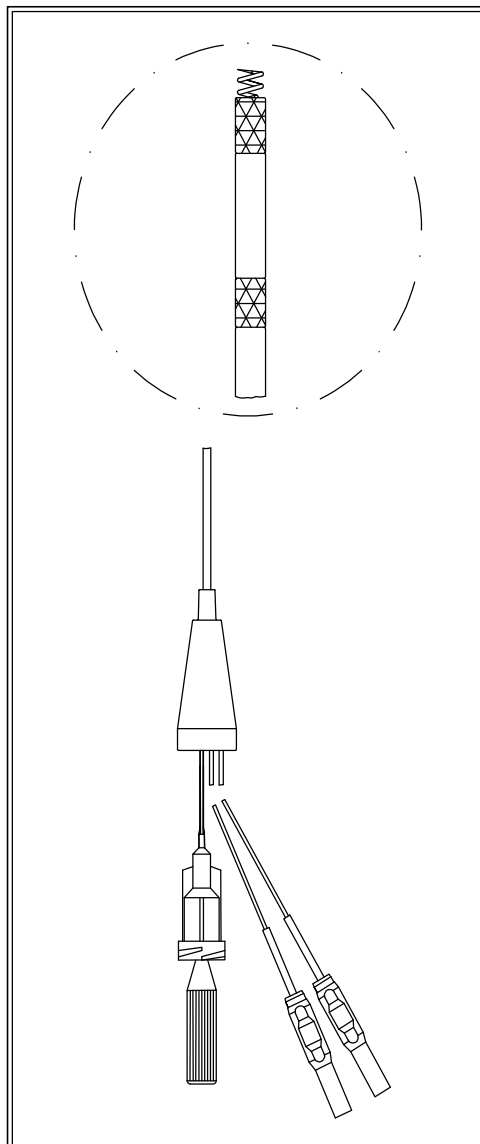
VascoStim Screw 2/6F

Intracardiac screw-in lead for temporary pacing and electrophysiology

VascoStim Screw products are intravascular screw-in leads for electrophysiological diagnostics and for temporary pacing of the heart, especially in emergencies such as bradyarrhythmia and cardiac conduction system disorder. They can be easily inserted via a peripheral vein.

After placement in the heart, VascoStim Screw can be easily fixed by using the enclosed screw-in stylet.

VascoStim Screw in particular offers secure fixation in the heart for bridging the period until implantation of a pacemaker.



Technical Data:

Screw (fixed)

Material:	MP35N
Length:	1.5 mm
No. of turns:	1.5

Electrode Tip (distal)

Material:	Stainless steel
Diameter:	6F/2.0 mm
Surface Area:	10 mm ²
Resistance:	< 70 Ohm

Electrode Ring (proximal)

Material:	Stainless steel
Length:	3 mm
Surface Area:	15 mm ²
Resistance:	< 50hm
Spacing of Electrodes:	11 mm
Isolation:	PEBA, radiopaque
Eff. length:	114 cm
Connector:	shrouded 2 mm pins

Attention !

To connect older devices with 2mm connector receptacles please use 2mm adapters (VascoStim TOPAS).

Package contents:

1 VascoStim Screw 2/6F with straight screw-in stylet

Packaging Unit: 5 pcs. / Box

Ordering Informations:

	Product
512357	VascoStim Screw 2/6F

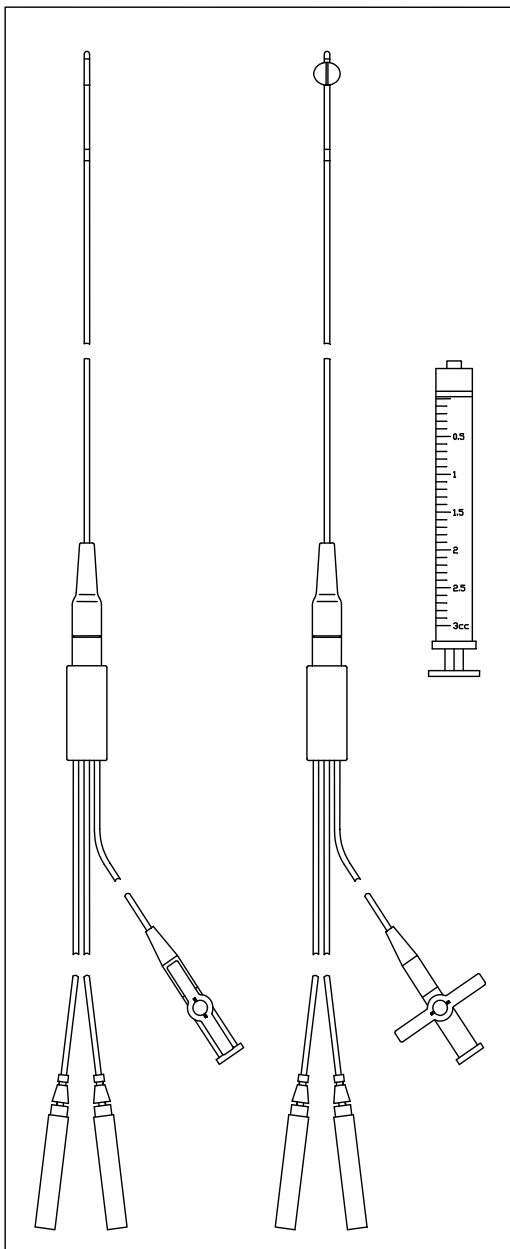
This product is double packaged and sterile.

VascoStim B 2/5F

Intracardiac electrodes for temporary pacing and electrophysiology

VascoStim B 2/5F is a bipolar pacing lead with balloon for temporary stimulation of the heart, especially in emergencies such as bradyarrhythmia and cardiac conduction system disorders, but also for deriving intracardiac electrocardiograms.

It can be placed easily by means of the inflated balloon in the blood flow.



Technical Data:

Diameter: 5F / 1,67mm

Electrode Spacing: 10mm

Usable length: 110cm

Material:

Electrodes: Stainless Steel

Balloon: Latex

Tubing: Radiopaque Polyurethane

Maximum Inflation

Capacity: 1cm³

Inflated Balloon Diameter: 10mm

Introducer Size: 6F

Attention !

To connect older devices with 2mm connector receptacles please use 2mm adapters (VascoStim TOPAS).

Package contents:

1 VascoStim B 2/5F

1 3cm³ Syringe inflation limitation hole at 1cm³

Packaging Unit: 5 pcs./Box

Ordering Information:

	Product
501224	VascoStim B 2/5F

This product is double packed and sterile.



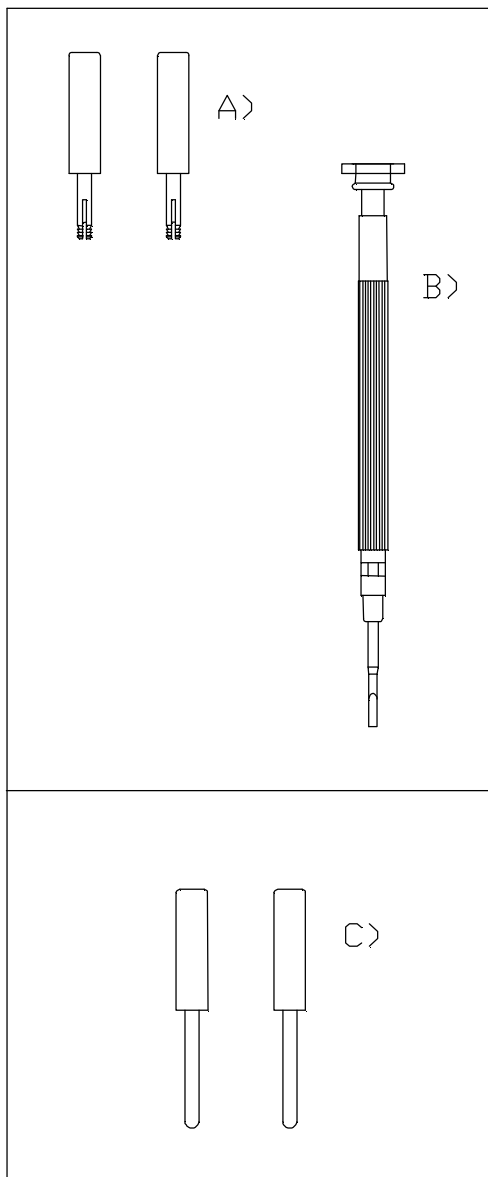
Temporary Leads / Electrophysiology

VascoStim TOPAS

2mm Adapter System acc. E-DIN 42802-2

VascoStim TOPAS is an adapter system for temporary pacemakers and EP-Lab systems, so that catheters with 2mm touch protected plugs according to E-DIN 42802-2:1997 ("Steckverbinder, berührungsgeschützt für elektrophysiologische Katheter") can be used.

The components of the system allow an easy and save adaptation of catheters with touch protected 2mm pin connectors to devices with old 2mm connectors (C), as well as a permanent modification of old 2mm pin hole devices to the new standard by means of screwfixable plugs (A).



Ordering Information:

- 377981 VascoStim TOPAS 5 Set**
1 Set consisting of:
- 1 pair Connectors (black/red, C)
5 Sets per Box
- 509393 VascoStim TOPAS Pacemaker-Set**
1 Set consisting of:
- 2 pairs Screwfix plug (black/red, A)
- 1 pc. Screwdriver (B)
5 Sets per Box
- 509394 VascoStim TOPAS EP-Set**
1 Set consisting of:
- 6 pairs Screwfix plug (black/red, A)
- 1 pc. Screwdriver (B)
1 Set per Box
- 509395 VascoStim TOPAS Connector-Set**
1 Set consisting of:
- 12 pairs Connectors (black/red, C)
1 Set per Box
- 509396 VascoStim TOPAS Universal-Set**
1 Set consisting of:
- 12 pairs Screwfix plugs (black/red, A)
- 1 pc. Screwdriver (B)
- 12 pairs Connectors (black/red, C)
1 Set per Box